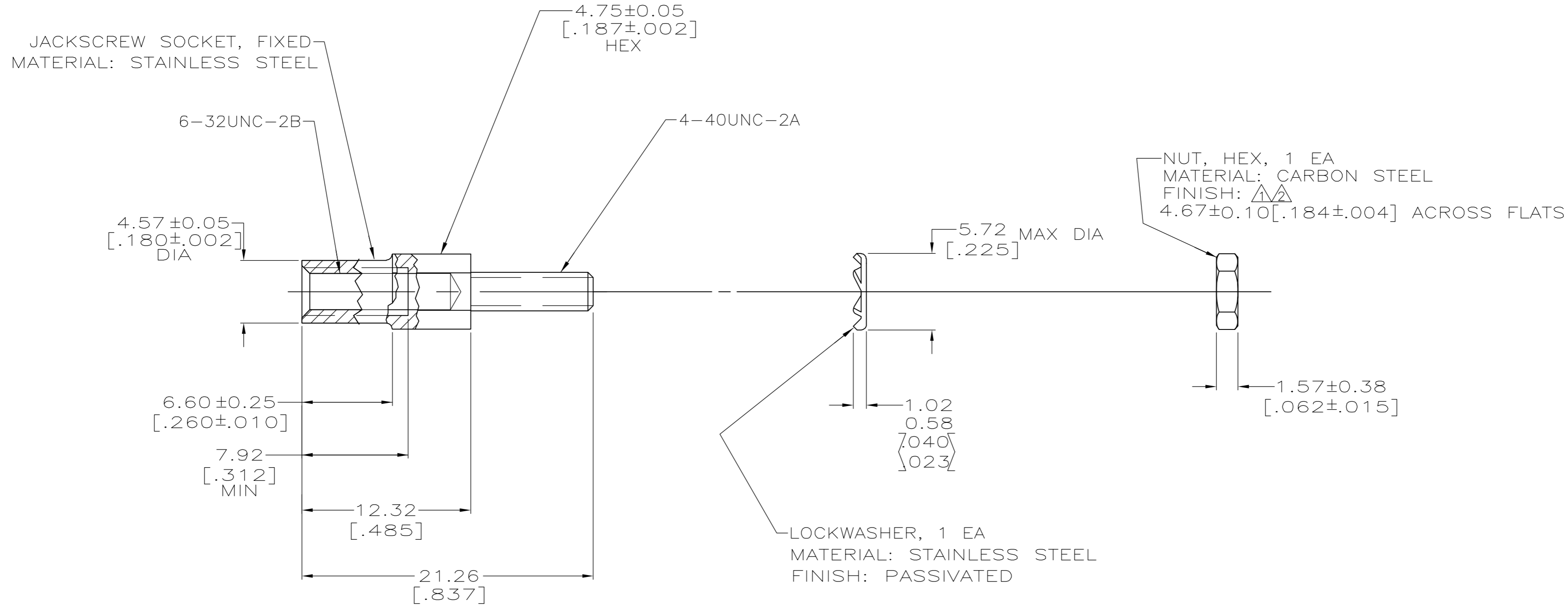


THIS DRAWING IS UNPUBLISHED. RELEASED FOR PUBLICATION  
 © COPYRIGHT BY TYCO ELECTRONICS CORPORATION. ALL RIGHTS RESERVED.

LOC		DIST		REVISIONS			
P	LTR	DESCRIPTION		DATE	DWN	APVD	
FT	0	L1	REVISED PER ECO-05-4934	7/21/05	SS	GS	



- NOTES:
- $\Delta 1$  ZINC PLATED WITH HEXAVALENT CHROMIUM.
  - $\Delta 2$  ZINC PLATED WITH NON-HEXAVALENT CHROMIUM.

$\Delta 2$	201089-4
$\Delta 1$	201089-1
NUT FINISH	PART NUMBER

THIS DRAWING IS A CONTROLLED DOCUMENT.		DWN D.BROCKWAY 01-18-95	Tyco Electronics Corporation	
DIMENSIONS: mm [INCHES]		CHK R.STONE 01-20-95	Harrisburg, Pa 17105-3608	
TOLERANCES UNLESS OTHERWISE SPECIFIED:		APVD -	NAME JACKSCREW KIT, UNASSEMBLED, FIXED, M SERIES	
0 PLC ± -		PRODUCT SPEC -	SIZE A2	
1 PLC ± -		APPLICATION SPEC -	CAGE CODE 00779	DRAWING NO C=201089
2 PLC ± 0.13 [.005]		WEIGHT -	RESTRICTED TO -	
3 PLC ± -		SCALE 4:1		
4 PLC ± -		SHEET 1 OF 1		
ANGLES ± -		REV L1		
FINISH SEE CALLOUT		CUSTOMER DRAWING		